

CNC machine

with servo motor drive

EUROMod®



EuroMod MP 45
with closed sliding door

Technical specification

	<i>EuroMod</i> ® MP 30	<i>EuroMod</i> ® MP 45	<i>EuroMod</i> ® MP 65
Processing areas X/Y/Z [mm] *	650/300/250	650/450/250	1000/650/250
Bench clamping area W × D [mm]	900x350	900x500	1200x700
Gap [mm] *	350		
Dimensions WxDxH [mm]	1160x800x1960	1160x1110x1960	1480x1510x1960
Processing speed X/Y/Z	max. 250 mm/s		
Repeat accuracy [mm]	± 0.02		
Drive motors	Servo motors		
Drive elements X/Y/Z	Recirculating ball drive, adjustable for no play		
Controller	iMD CAN controller with 3 drive controllers, expandable to 12 axes (max. 6 interpolated & 6 handling axes), PC, I/O module, safety circuit with rest state monitoring, power supply unit 48V/1000 W		
Operation	19" CNC control panel with touch screen, keyboard and mouse		
Weight (kg)	approx. 275	approx. 300	approx. 400
Software	Windows, WinRemote (optional: ProNC, isy 2.5 PLUS)		
Connection values	230 V, 16 A		
Part no.	275133 53655	275143 53655	275153 53655

* without mounted components on the axes.

CNC machine

with servo motor drive

EUROMOD[®]

General note

The choice of the ideal CNC machine for you should focus both on the clamping area for the workpiece, materials or plates to be machined and on the strategy or difficulties of the machining. In principal, all machines are perfectly suited for machining **light metals, non-ferrous metals, plastics and wood**. Extensive range of accessories for all our CNC machines to order (see Page 5-18 et seq.).

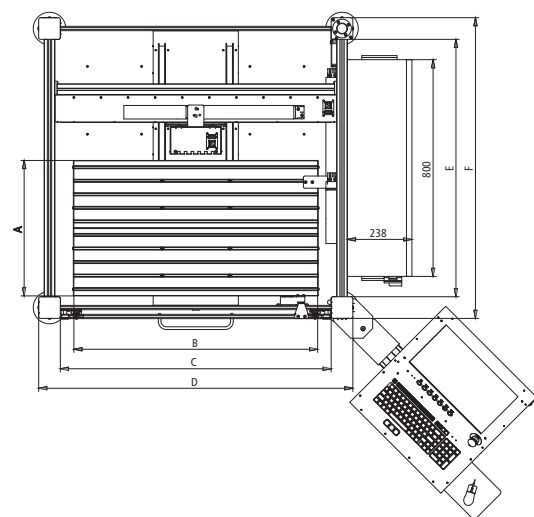
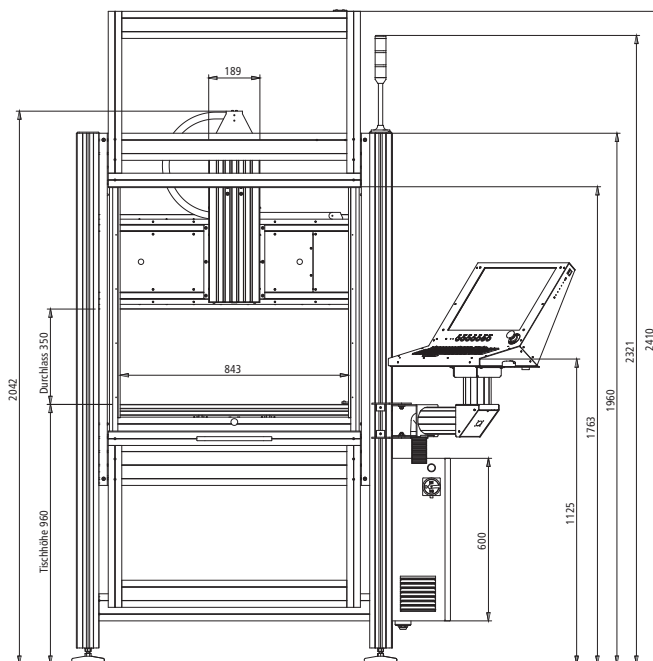
Options

- PC control console with free PCI plug-ins (for use by external PCI hardware)
- Stainless steel keyboard
- Safety light curtain
- Milling and engraving spindles
- SK11/SK20 automatic tool change stations
- Minimum quantity lubrication or CoolMin cooling system
- Vacuum clamping benches
- Suction device
- 4th axis e. g. RDH series installation
- pneumatic sliding door
- closed hood attachment

Setup

- Portal: fixed, bench: moveable

Dimensioned drawings/dimensions



	A	B	C	D	E	F
EuroMod MP30	350	900	1000	1160	640	800
EuroMod MP45	500	900	1000	1160	950	1110
EuroMod MP65	700	1200	1200	1480	1350	1510

We reserve the right to make technical changes.